

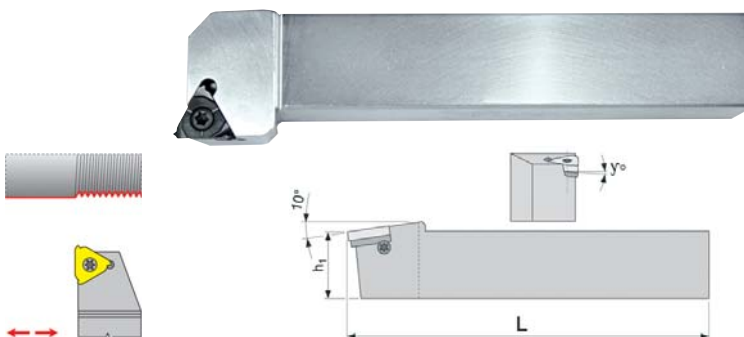


← Previous page

| Code       | Photo | Name                            | Insert type         | Dimension | N° Torx® | Hexagonal seat (mm) | € | Pz. |
|------------|-------|---------------------------------|---------------------|-----------|----------|---------------------|---|-----|
| A509694070 |       | Spare screw for bracket         | LCFM 1603           | -         | -        | 3                   | ◇ | 1   |
| A509694075 |       |                                 | LCFM 1604           | -         | -        | 4                   | ◇ | 1   |
| A509694170 |       | Spare screw for bracket         | LCFM 1303/04        | -         | 15       | -                   | ◇ | 1   |
| A559202110 |       | Spare shim                      | TN 16 EL - TM 16 IR | -         | -        | -                   | ◇ | 10  |
| A559202120 |       |                                 | TN 16 ER - TN 16 IL | -         | -        | -                   | ◇ | 10  |
| A559729015 |       | Spare puller for parting insert | LFMX                | -         | -        | -                   | ◇ | 1   |

### TKN Toolholder for external threading

Toolholder for external threading, screw locking, for insert with a step of 0.5÷3 mm or 8÷28 threads/1".



| Final Code | A60610 |     | A60615                   |       | Type | Dimensions |        |       |  |
|------------|--------|-----|--------------------------|-------|------|------------|--------|-------|--|
|            | R €    | L € | Coupling dimensions (mm) |       |      | h1 (mm)    | L (mm) | y (°) |  |
| 1212       | ◇      |     | SER 1212 F16             | 12x12 | 12   | 80         | 1,5    |       |  |
| 1616       | ◇      |     | SER 1616 H16             | 16x16 | 16   | 100        | 1,5    |       |  |
| 2020       | ◇      |     | SER 2020 K16             | 20x20 | 20   | 125        | 1,5    |       |  |
| 2525       | ◇      |     | SER 2525 M16             | 25x25 | 25   | 150        | 1,5    |       |  |
| 1212       |        | ◇   | SEL 1212 F16             | 12x12 | 12   | 80         | 1,5    |       |  |
| 1616       |        | ◇   | SEL 1616 H16             | 16x16 | 16   | 100        | 1,5    |       |  |
| 2020       |        | ◇   | SEL 2020 K16             | 20x20 | 20   | 125        | 1,5    |       |  |
| 2525       |        | ◇   | SEL 2525 M16             | 25x25 | 25   | 150        | 1,5    |       |  |

| Final Code | Type         |
|------------|--------------|
| 1212       | SER 1212 F16 |
| 1616       | SER 1616 H16 |
| 2020       | SER 2020 K16 |
| 2525       | SER 2525 M16 |
| 1212       | SEL 1212 F16 |
| 1616       | SEL 1616 H16 |
| 2020       | SEL 2020 K16 |
| 2525       | SEL 2525 M16 |

| Spare parts |            |              |            |             |                    |
|-------------|------------|--------------|------------|-------------|--------------------|
| Insert      | Shim       | Screw insert | Screw shim | Wrench shim | Screwdriver insert |
| TN16ER      | A559202120 | A559004010   | A559103010 | N200500250  | N202350150         |
| TN16EL      | A559202110 | A559004010   | A559103010 | N200500250  | N202350150         |

Inserts: see pages 412/413.