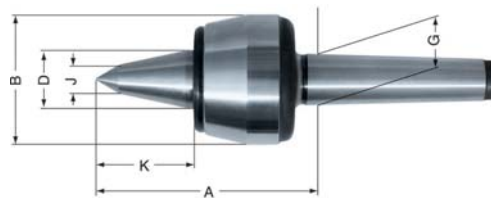




Rotating tailstock 60° cusp

Rotating tailstock with 60° cusp, extended in hardened and ground steel, with high rotation precision, ground shank, with precision rotation bushings, nose trim for protection from the lubricant-refrigerant and dust.

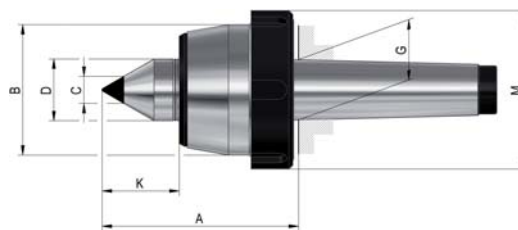


Code	€	Morse taper	Max piece weight (Kg)	Concentricity (mm)	Max speed (rev/min)	A (mm)	B (mm)	D (mm)	G (mm)	J (mm)	K (mm)
C300100101	---	1	80	0,01	7000	70,5	34,5	15	12,065	9	27
C300100102	---	2	140	0,005	7000	75	43	20	17,78	10	34
C300100106	---	3	400	0,005	5000	95,5	58,5	25	23,825	12	47
C300100108	---	4	500	0,005	3800	114,5	68,5	32	31,267	14	53
C300100110	---	5	1200	0,005	3000	143,5	88,5	40	44,399	16	65



Rotating tailstock, 60° cusp, in hard metal with ring nut for extraction

Rotating tailstock with 60° cusp in hard metal, in tempered and ground steel, with high rotation precision, **ring nut for extraction**, ground shank, with precision roller bearings, lip seal to protect from cutting fluid and dust.

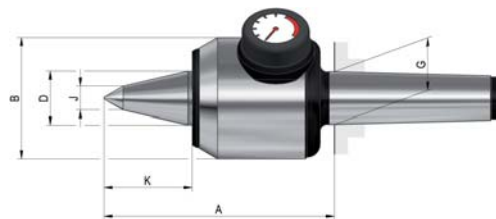


Code	€	Morse taper	Max piece weight (Kg)	Concentricity (mm)	Max speed (rev/min)	A (mm)	B (mm)	C (mm)	D (mm)	G (mm)	K (mm)	M (mm)
C303070005	---	2	120	0,005	7000	65	45	11	20	17,78	24	56
C303070010	---	3	360	0,005	5000	79,5	60	14	25	23,825	31	74
C303070015	---	4	500	0,005	3800	102,5	70	14	32	31,265	41	82
C303070020	---	5	1000	0,005	3000	129	90	18	40	44,399	50,5	105
C303070025	---	6	1800	0,01	2600	152	105	18	50	63,348	57,5	120



Rotating tailstock, 60° cusp with dynamometer

Rotating tailstock with 60° cusp, extended, in tempered and ground steel, with high rotation precision, steel body, **with dynamometer and axial compensation, ideal for machining with front face driver**, ground shank, with precision roller bearings, lip seal to protect from cutting fluid and dust.

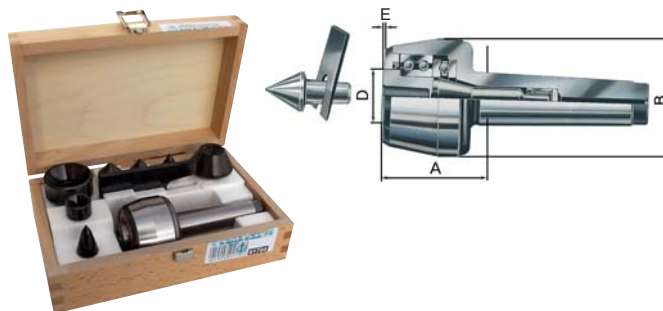


Code	€	Morse taper	Max piece weight (Kg)	Concentricity (mm)	Max speed (rev/min)	A (mm)	B (mm)	D (mm)	G (mm)	K (mm)	J (mm)
C303120005	---	3	260	0,01	4000	120	64	25	23,825	46,5	11
C303120010	---	4	550	0,01	3500	137,5	72	32	31,267	53	14
C303120015	---	5	1100	0,01	2500	177,5	95	40	44,399	66	15
C303120020	---	6	2500	0,015	1800	223	120	52	63,348	80	24



Rotating tailstock with interchangeable cusps

Rotating tailstock with interchangeable cusps, in hardened and ground steel body, with high rotation precision, ground shank, with precision rotation bushings, nose trim for protection from the lubricant-refrigerant and dust, supplied in wood box with set of cusps.



Code	€	Morse taper	Max piece weight (Kg)	Concentricity (mm)	A (mm)	B (mm)	D (mm)	E (mm)
C300300102	---	2	40	0,01	45	43	20	4
C300300104	---	3	130	0,01	48	48,5	22	4,5
C300300106	---	3	150	0,01	55	58,5	25	5
C300300108	---	4	250	0,01	67	68,5	32	5
C300300110	---	5	650	0,01	85	88,5	40	6