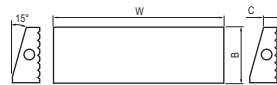




Smooth, hardened interchangeable clamp

Interchangeable comb clamp plate, smooth, hardened steel, for Item C55507.



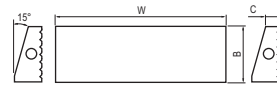
Code	€	W (mm)	C (mm)	B (mm)
C555090105	---	95	9	28
C555090110	---	120	11	38
C555090115	---	145	11	48

Code	€	W (mm)	C (mm)	B (mm)
C555090120	---	170	11	58
C555090125	---	195	14	63



Knurled, hardened interchangeable clamp

Interchangeable comb clamp plate, knurled, hardened steel, for Item C55507.



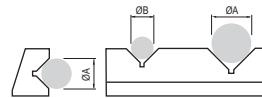
Code	€	W (mm)	C (mm)	B (mm)
C555090205	---	95	9	28
C555090210	---	120	11	38
C555090215	---	145	11	48

Code	€	W (mm)	C (mm)	B (mm)
C555090220	---	170	11	58
C555090225	---	195	14	63



Prism, hardened interchangeable clamp

Interchangeable comb clamp plate, knurled, hardened steel, for Item C55507.



Code	€	Jaw width (mm)	Ø A min/max (mm)	Ø B min/max (mm)
C555090405	---	96	6/16	4/10
C555090410	---	121	9/24	7/18
C555090415	---	146	13/38	9/24

Code	€	Jaw width (mm)	Ø A min/max (mm)	Ø B min/max (mm)
C555090420	---	171	15/40	9/24
C555090425	---	196	15/42	9/24



Multiple locking precision vice for working centres

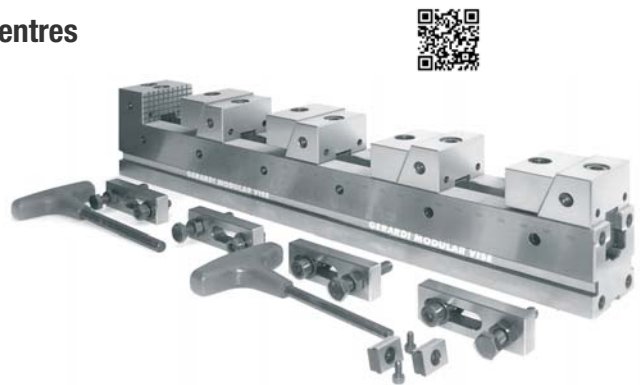
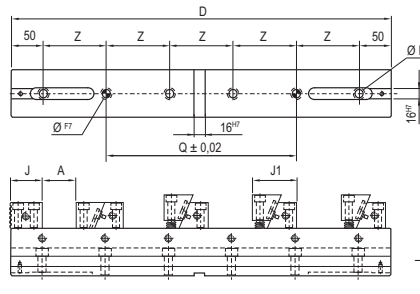
Multiple locking, modular precision vice, ideal for working centres, cubes, NC machines.

Ready for both vertical and horizontal positioning. Concrete and hardened steel construction 60 ±2 HRC. Maximum accuracy within 0,02 mm due to tooth plan ground of base and fixed/mobile clamp guided coupling. Lowering action jaws due to the line coupling.

Extreme versatility of equipment reconfiguration, reduction of set-up times.

5-year warranty against material defects

Supply: 1 fixed clamp and 4 fixed-mobile clamps, 4 side stops, 2 positioning bolts and 1 T wrench.



Code	€	A (mm)	B (mm)	C (mm)	D (mm)	G (mm)	J (mm)	J1 (mm)	I (mm)	L (mm)	Ø P (mm)	Q (mm)	Z (mm)	W (mm)	Ø f7 (mm)	Weight (Kg)
C555350005	---	4x8	32/25	50	300	50	38	55/58	10	15	9	100	100	49	10	7,2
C555350010	---	4x33	32/25	50	400	50	38	55/58	10	15	9	100	100	49	10	8,7
C555350015	---	4x58	32/25	50	500	50	38	55/58	10	15	9	300	100	49	10	10,1
C555350020	---	4x83	32/25	50	600	50	38	55/58	10	15	9	300	100	49	10	11,6
C555350022	---	4x108	32/25	50	700	50	38	55/58	10	15	9	400	100	49	10	13
C555350025	---	4x12	40	75	400	75	50	70/75	16	20	13	300	100	74	16	22,5
C555350030	---	4x37	40	75	500	75	50	70/75	16	20	13	200	100	74	16	26
C555350035	---	4x62	40	75	600	75	50	70/75	16	20	13	300	100	74	16	29,5
C555350040	---	4x87	40	75	700	75	50	70/75	16	20	13	400	100	74	16	33