



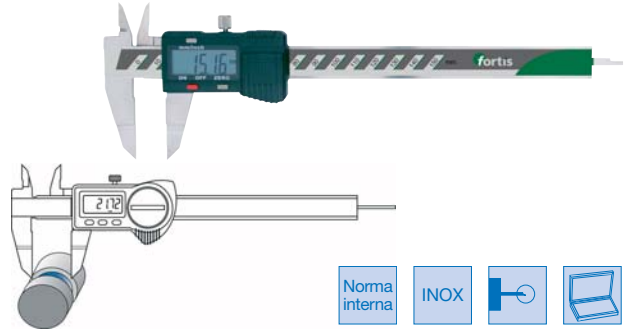
Digital vernier caliper for shaft grooves

Digital vernier caliper for measuring shaft grooves, with LCD liquid crystal display, stainless steel structure, upper locking screw, precision according to internal standard.

Electronic functions:

- on / off switch
- reset in any position
- switching mm / inches

Battery cod. F030272032



Code	€	Measurement field (mm)	Figures height (mm)	Noses length (mm)	Resolution (mm)	Measurement surfaces (mm)	Data exit
F051880150	€	0÷150	11	40	0,01	18x0,75	no



Digital vernier caliper, protection level IP67

Digital vernier caliper with liquid crystal display, protection IP 67, in tempered stainless steel, rectified measurement surfaces, hard metal tips for drawing pieces, top locking screw, precision according to internal standard. Supplied with certificate of calibration.

Electronic functions:

- ON/OFF switch
- QuickStart electronic
- QuickLock function
- reset in any position
- +/- Preset function
- switching between mm/inches.

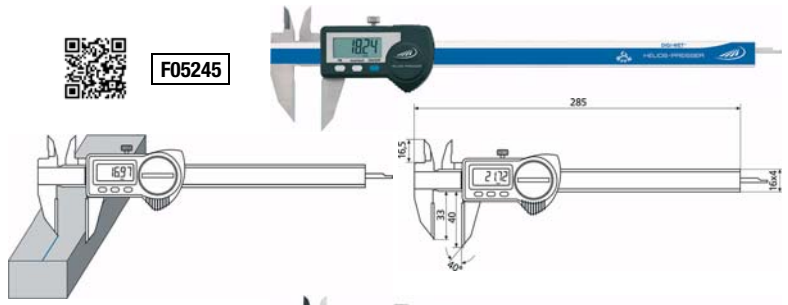
Data output can be interfaced with the following systems:

- RS 232 cable code F038430005
- Digimatic cable code F038430010
- USB cable code F038430015

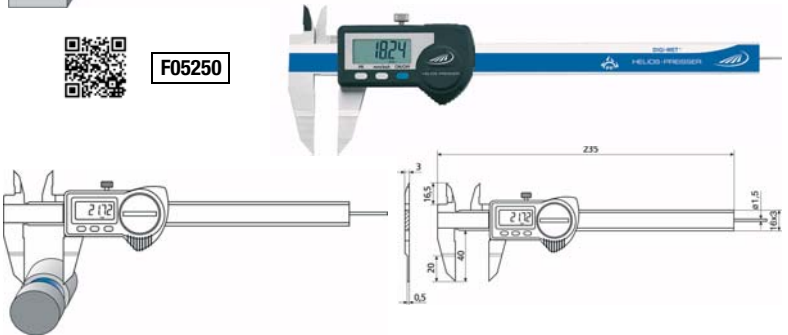
Battery code F030272032
Base code F058300005.



F05245



F05250



Final Code	F05245	F05250	Measurement field (mm)	Figures height (mm)	Noses length (mm)	Resolution (mm)	Data exit
0005	€	€	0÷200	7,5	33/40	0,01	yes
0005	€	€	0÷150	7,5	40	0,01	yes



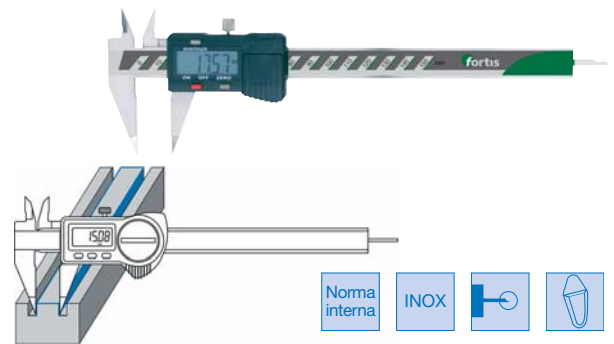
Digital vernier caliper for grooves

Digital gauge for measuring grooves, with liquid crystal display, stainless steel structure, upper locking screw, precision according to internal standard.

Electronic functions:

- on / off switch
- reset in any position
- switching mm / inches

Battery cod. F030272032



Code	€	Measurement field (mm)	Figures height (mm)	Noses length (mm)	Resolution (mm)	Beak angle (°)	Data exit
F051890150	€	0÷150	11	40	0,01	55	no