



Digital vernier caliper, protection level IP67

Digital vernier caliper with liquid crystal display, protection IP 67, in tempered stainless steel, rectified measurement surfaces, pointy measurement tips, top locking screw, precision according to internal standard. Supplied with certificate of calibration.

Electronic functions:

- ON/OFF switch
- QuickStart electronic
- QuickLock function
- reset in any position
- +/- Preset function
- switching between mm/inches.

Data output can be interfaced with the following systems:

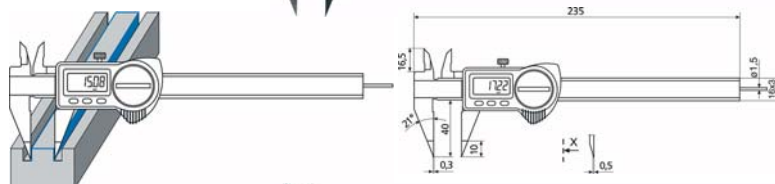
- RS 232 cable code F038430005
- Digimatic cable code F038430010
- USB cable code F038430015

Battery code F030272032
Base code F058300005.

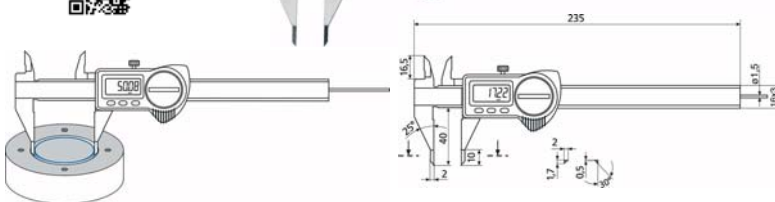
Norma interna	INOX	IP 67
RS232	Digimatic	USB
Conversione mm"/		



F05255



F05260



Final Code	F05255	F05260	Measurement field (mm)	Figures height (mm)	Noses length (mm)	Resolution (mm)	Data exit
0005	€	€	0±150	7,5	40	0,01	yes



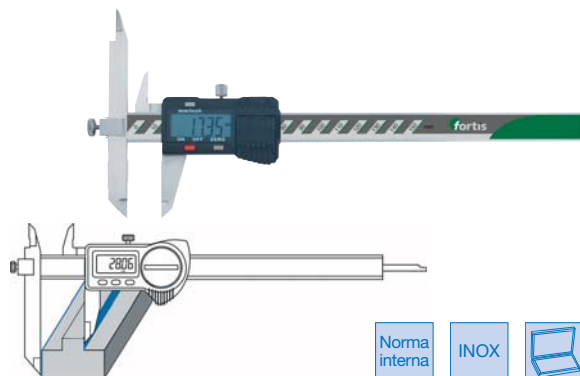
Digital vernier caliper with adjustable measuring spout

Digital vernier caliper for measuring on tops with different heights, with liquid crystal display, stainless steel structure, upper locking screw, precision according to internal standard.

Electronic functions:

- on/off switch
- reset in any position
- switching mm / inch

Battery cod. F030272032



Norma interna	INOX	
---------------	------	--

Code	€	Measurement field (mm)	Figures height (mm)	Noses length (mm)	Resolution (mm)	Sliding beak length (mm)	Data exit
F051870150	€	0±150	11	40-73	0,01	110	no