



Digital vernier caliper, protection level IP67

Digital vernier caliper with liquid crystal display, protection IP 67, in tempered stainless steel, rectified measurement surfaces, one adjustable measuring tip for the measurement on different planes, top locking screw, precision according to internal standard.

Supplied with certificate of calibration.

Electronic functions:

- ON/OFF switch
- QuickStart electronic
- QuickLock function
- reset in any position
- +/- Preset function
- switching between mm/inches.

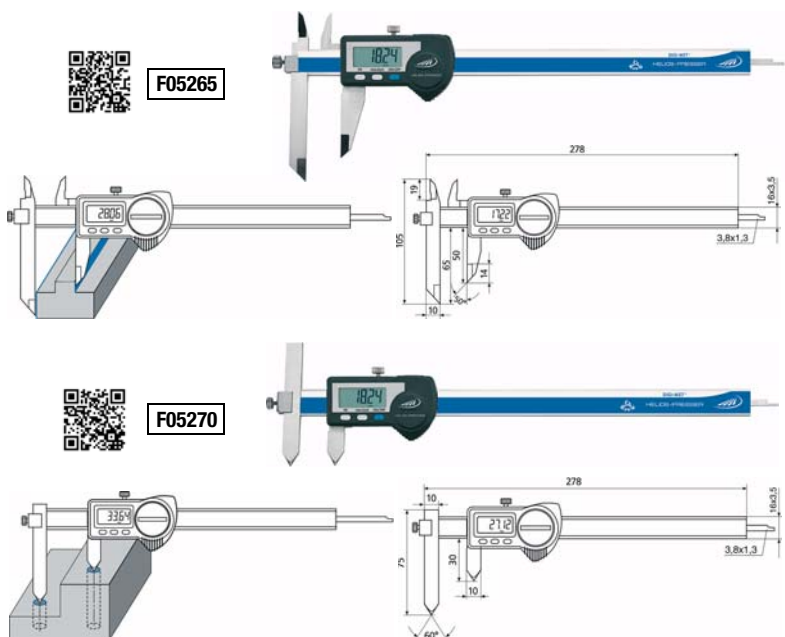
Data output can be interfaced with the following systems:

- RS 232 cable code F038430005
- Digimatic cable code F038430010
- USB cable code F038430015

Battery code F030272032

Base code F058300005.

Norma interna	INOX	IP 67
RS232	Digimatic	USB
Conversione mm/in		



Final Code	F05265	F05270	Measurement field (mm)	Figures height (mm)	Noses length (mm)	Resolution (mm)	Data exit
0005	€	€	0±200	7,5	65/50	0,01	yes
0005	€	€	10±210	7,5	75/30	0,01	yes



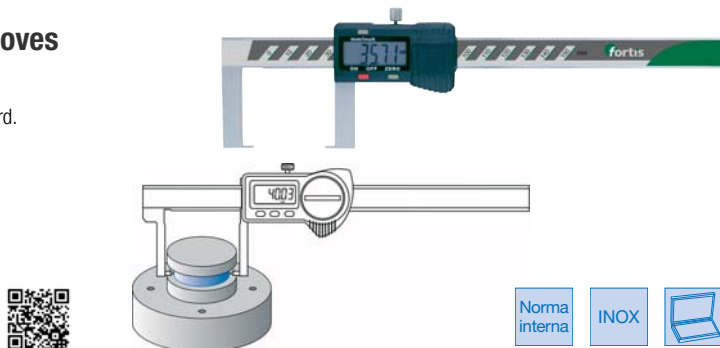
Digital vernier caliper for external grooves

Digital vernier caliper for measuring external grooves, with liquid crystal display, stainless steel structure, upper locking screw, precision according to internal standard.

Electronic functions:

- on / off switch
- reset in any position
- switching mm / inches

Battery cod. F030272032



Norma interna	INOX	
---------------	------	--

Code	€	Measurement field (mm)	Figures height (mm)	Noses length (mm)	Resolution (mm)	Measurement surfaces (mm)	Data exit
F051860150	€	0±150	11	40	0,01	1x5	no